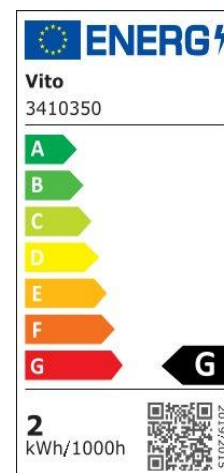


# Product Data Sheet

INDOOR LIGHTING

TINO-R 2W

CODE: 3410350



## Area of application

Round recessed LED spot light with full metal body.

For outdoor lighting applications to be installed on walls of corridors/rooms in homes, shopping malls, commercial areas..

## Product Advantages

TINO is a family of waterproof (IP65) wall recessed light fittings equipped with LED sources. The solutions subject of proposal vary in terms of form and type of installation, with one common denominator: the quality of our products. Housing of aluminium painted with sandblasted finishing in sand black & white. Semi transparent diffuser made by ABS. Driver included in the package.

# Product Data Sheet

## INDOOR LIGHTING

TINO-R 2W

CODE: **3410350**

### Product Features

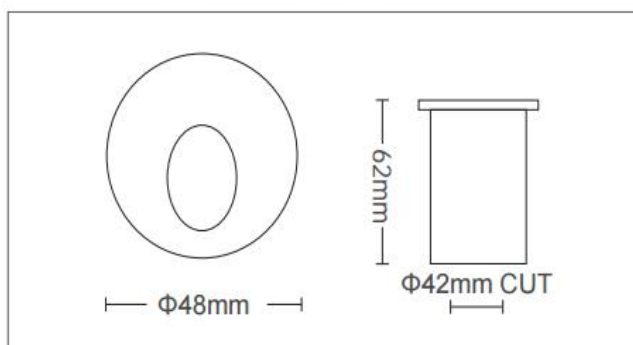
#### Electrical

Power: 2Watt  
Voltage: 100-240V AC ~ 50/60Hz  
Power Factor: >0.5  
Electrical Protection: Class II  
Surge Protection: --  
Dimmability: NO  
Switch Cycle: 25000 times

#### Material Characteristics

IP Class: IP65  
IK Class: -  
Material: Aluminum+ABS  
Ambient Temperature: -25°C<ta<+50°C  
Body Color: BLACK  
Product Size:  $\Phi 48 \times 61.5$ mm

#### Technical Drawing



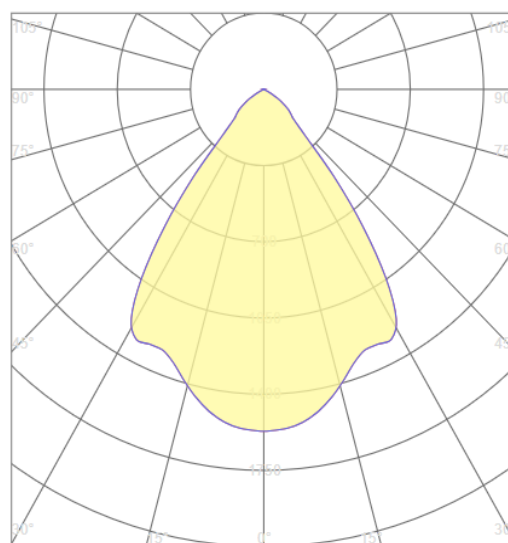
#### Lighting

Lumen: 110 Lm  
Luminaire efficacy: 55 Lm/W  
Colour Temperature: 4000K (NATURAL WHITE)  
Beam Angle: 75°  
CRI : Ra >80  
Lifetime; 25000 Hours  
EEL : G

#### Packing Informations

Pieces/Outbox: 50  
Outbox Size: 300x150x300 mm  
Outbox G.W.: 4,8 Kg  
Outbox Volume: 0,0135 m<sup>3</sup>  
Unit Weight: 96 gr  
Barcode : 6972538049636

#### Light Distribution Curve



VITO EUROPE

102 Iztochna Tangenta str. 4th Floor

P.C. 1528, Sofia/Bulgaria

Phone: +359 2 4341575

E-mail: [info@vitoeuropa.com](mailto:info@vitoeuropa.com)

[www.vitolighting.com](http://www.vitolighting.com)