

# Product Data Sheet

## OUTDOOR LIGHTING

ADRIA-S2

CODE: 3230550



### Area of application

LED Facade Lighting Fixture for general outwall lighting applications to be used on outwalls of offices, hospitals, schools, shopping malls, parks, warehouses, industrial facilities..

### Product Advantages

ADRIA is a serie of waterproof (IP65) wall surface LED light fitting. The solutions subject of proposal vary in terms of form and type of installation, with one common denominator: the quality of our products. Housing of ABS & PC with sandblasted finishing in anthracite mat color. Opal diffuser which is for up / down lighting. Driver included in the body itself. It's ready to be operated with its easy installation and maintenance. This model includes a E27 socket for the desired lighting flexibility.

# Product Data Sheet

## OUTDOOR LIGHTING

ADRIA-S2

CODE: 3230550

### Product Features

#### Electrical

Power: --

Voltage: 220-240V AC ~ 50/60Hz

Power Factor: --

Electrical Protection: Class II

Surge Protection: --

Dimmability: --

Switch Cycle: --

#### Material Characteristics

IP Class: IP54

IK Class: -

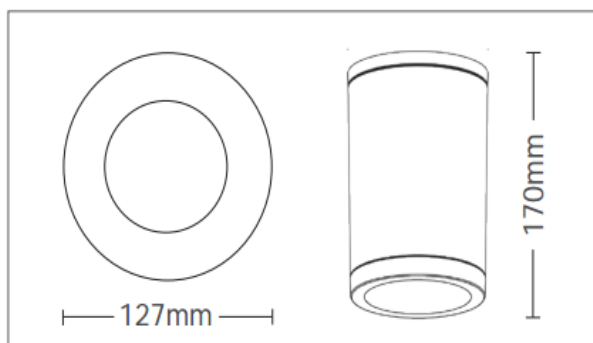
Material: Polycarbonate + ABS

Ambient Temperature: -20°C<ta<+45°C

Body Color: ANTHRACITE

Product Size: 120x170mm

#### Technical Drawing



#### Lighting

Lumen: --

Luminaire efficacy: --

Colour Temperature: --

Beam Angle: --

CRI : Ra --

Lifetime: --

EEL : --

#### Packing Informations

Pieces/Outbox: 20

Outbox Size: 680x275x390 mm

Outbox G.W.: 10,24 Kg

Outbox Volume: 0,0729 m<sup>3</sup>

Unit Weight: 512 gr

Barcode : 6972538044259

#### Light Distribution Curve

System Definition: VT/ADRIA-S3/E27/D12CM\*L17CM/IP54/ANTR/OUTWALL

#### VITO EUROPE

102 Iztochna Tangenta str. 4th Floor

P.C. 1528, Sofia/Bulgaria

Phone: +359 2 4341575

E-mail: [info@vitoeurope.com](mailto:info@vitoeurope.com)

[www.vitolighting.com](http://www.vitolighting.com)