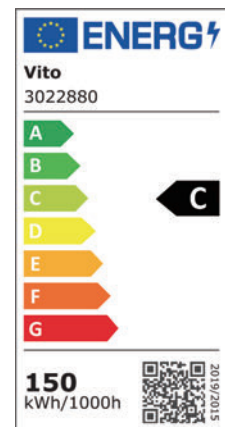
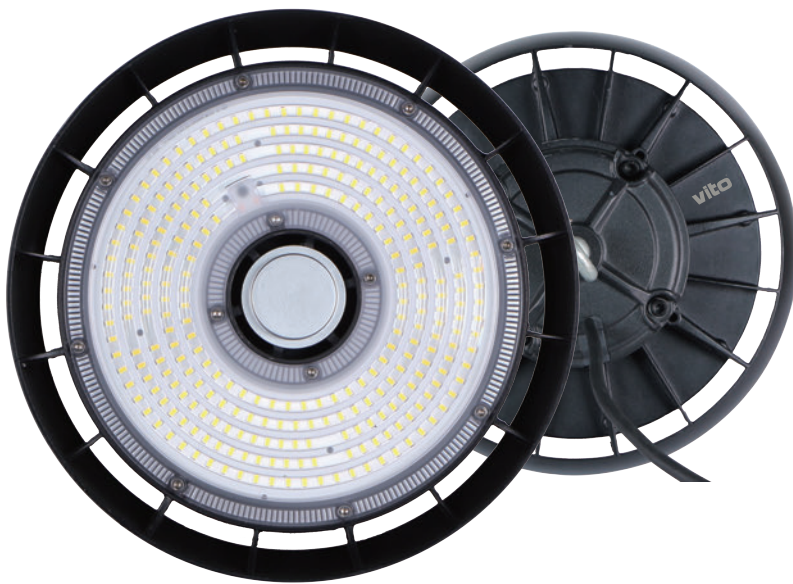


Product Data Sheet

LED HIGH-BAY

SPACE - 150W

CODE: **3022880**



Area of application

- Warehouses
- Logistics halls
- Industry
- Indoor and outdoor
- High ceiling (e.g. in shopping malls, airports, commercial buildings)

Product Advantages

Direct replacement for conventional 600W HQL High Bay luminaires

Exclusive VITO design

Lumileds brand LED chip inside

Energy savings of up to **80%** compared to conventional high bay luminaires

Optimized weight and size due to compact design

Mounting hook included

Available certificates: CE, EMC, LVD

VITO EUROPE
102 Iztochna Tangenta str. 4th Floor
P.C. 1528, Sofia/Bulgaria
Phone: +359 2 4341575
E-mail: info@vitoeurope.com

www.vitolighting.com

Product Data Sheet

LED HIGH-BAY

SPACE - 150W

CODE: **3022880**

Product Features

Power: 150W

Luminaire efficacy: 150 lm/W

Luminous flux: 22500lm

Colour temperature: 5000K

Beam angle: 90°

IP Class: IP65

IK Class: Class I

Lifetime: (L70/B50): up to 50000h

Dimmable: No

Voltage: 100-277V

Hyper Voltage Protection: 10KV

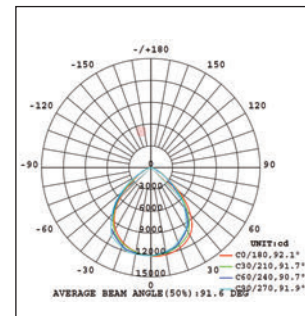
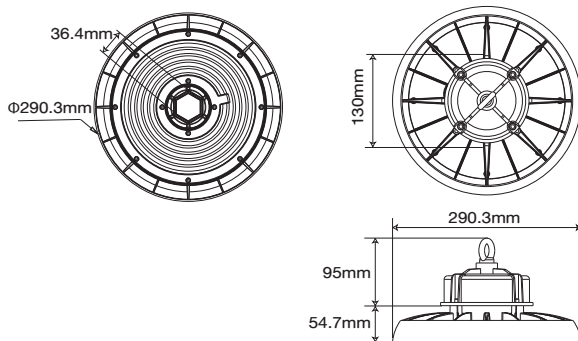
Body color: Black

Body Material: Aluminum+PC

Lens material: Polycarbonate

Ambient operating temperature: -10+50 °C

Guarantee: 5 years



Packing Informations

Dimensions: 305x305x145mm

Volume: 0.013m³

Gross Weight: 3.5kg

Pieces/box: 1