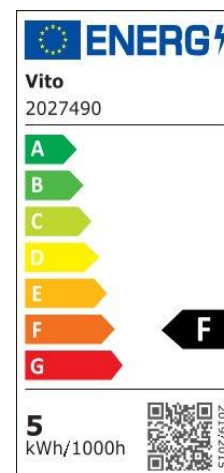


# Product Data Sheet

INDOOR LIGHTING

HELEN 5W

CODE: 2027490



## Area of application

IP54 Recessed LED Panel suitable to use in high-humidity places for indoor/outdoor lighting applications. Ceilings of corridors/rooms in offices, hospitals, schools, shopping malls, commercial areas..

## Product Advantages

HELEN is a family of round waterproof recessed LED light fixtures equipped with LED sources in the backlight position. Housing of plastic board painted with sandblasted finishing in sand white. Diffuser of opal polycarbonate with anti-yellow treatment. DOB type of driver is included in the product.

# Product Data Sheet

## INDOOR LIGHTING

HELEN 5W

CODE: 2027490

### Product Features

#### Electrical

Power: 5Watt

Voltage: 170-260V AC ~ 50/60Hz

Power Factor: >0.5

Electrical Protection: Class II

Surge Protection: --

Dimmability: NO

Switch Cycle: 30000 times

#### Material Characteristics

IP Class: IP54

IK Class: -

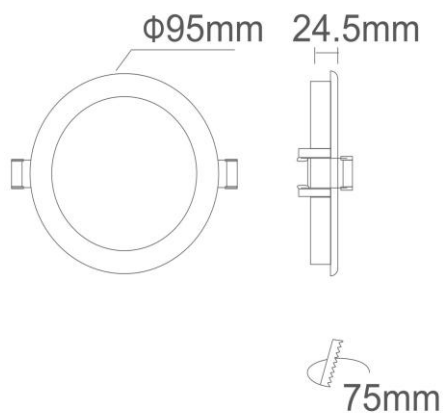
Material: PC

Ambient Temperature:  $-10^{\circ}\text{C} < t_a < +40^{\circ}\text{C}$

Body Color: WHITE

Product Size:  $\Phi 95 \times 24.5 \text{mm}$

#### Technical Drawing



#### Lighting

Lumen: 425 Lm

Luminaire efficacy: 85 Lm/W

Colour Temperature: 6000K (COOL WHITE)

Beam Angle:  $120^{\circ}$

CRI : Ra >80

Lifetime; 30000 Hours

EEL : F

#### Packing Informations

Pieces/Outbox: 60

Outbox Size:  $390 \times 320 \times 220 \text{mm}$

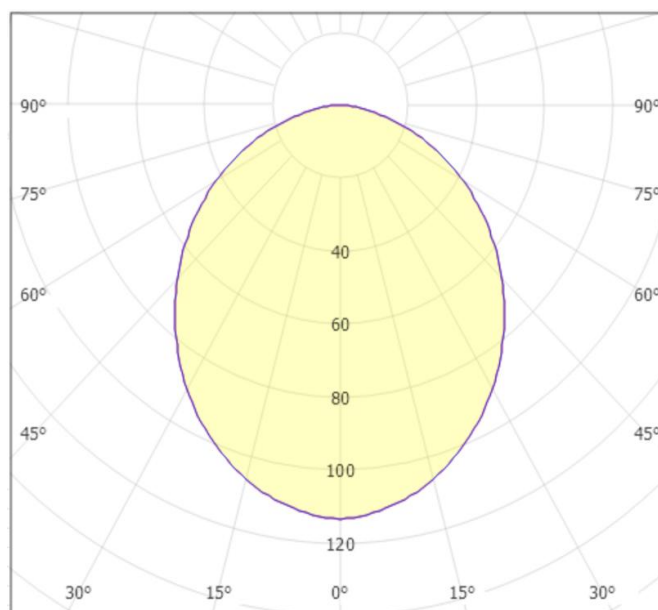
Outbox G.W.: 4,9 Kg

Outbox Volume:  $0,0275 \text{m}^3$

Unit Weight: 81,67 gr

Barcode : 6970233832164

#### Light Distribution Curve



VITO EUROPE

102 Iztochna Tangenta str. 4th Floor

P.C. 1528, Sofia/Bulgaria

Phone: +359 2 4341575

E-mail: [info@vitoeurope.com](mailto:info@vitoeurope.com)

[www.vitolighting.com](http://www.vitolighting.com)