

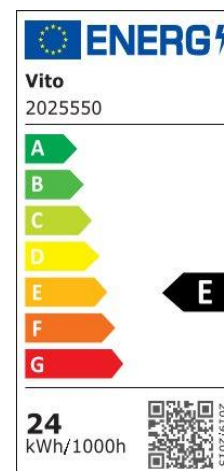
# Product Data Sheet

## INDOOR LIGHTING

DARIA 24W



CODE: 2025550



### Area of application

Round Recessed Backlighted LED panel with Adjustable Cut-Size Feature.  
Ceilings of Corridors/Rooms in offices, shopping malls, commercial&residential areas.

### Product Advantages

DARIA series LED CEILING LIGHTING with electrostatically-painted mat White Aluminium body and anti-yellow UGR<19 Polycarbonate diffuser presents 2592Lm lighting performance and 20000Hours long lifetime.This 24W model includes 6500K (COOL WHITE) backlit LED for 120° light beam-angle as desired lighting flexibility.It's ready to be operated with its easy installation and maintenance.

# Product Data Sheet

## INDOOR LIGHTING

DARIA 24W

CODE: 2025550

### Product Features

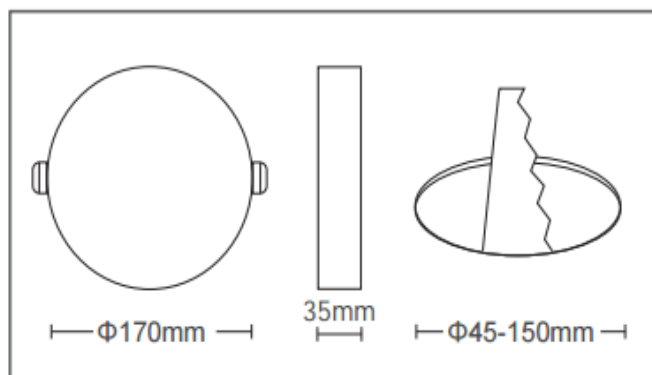
#### Electrical

Power (Watt): 24  
Voltage: 85-265V AC ~ 50/60Hz  
Power Factor: >0.5  
Electrical Protection: Class II  
Surge Protection: --  
Dimmability: NO  
Switch Cycle (Times): 15000

#### Material Characteristics

IP Class: Frontal IP44  
IK Class: -  
Material: Aluminium + Polycarbonate  
Ambient Temperature: -20°C<ta<+50°C  
Body Color: WHITE  
Product Size (mm): Ø170x35

#### Technical Drawing



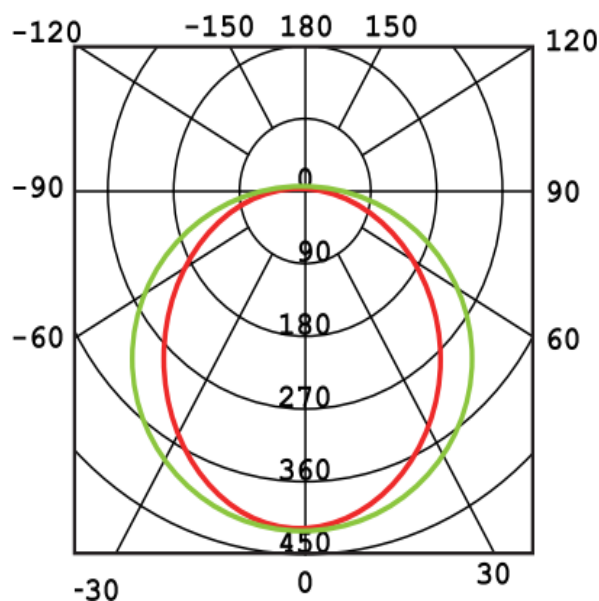
#### Lighting

Lumen (Lm): 2592  
Luminaire efficacy (Lm/W): 108  
Colour Temperature: 6500K (COOL WHITE)  
Beam Angle: 120°  
CRI: Ra >80  
Lifetime (Hours): 20000  
EEL : E

#### Packing Informations

Pieces/Outbox: 30  
Outbox Size (mm): 560x225x380  
Outbox G.W. (Kg): 7,07  
Outbox Volume (m<sup>3</sup>): 0,0479  
Unit Weight (Gr): 235,67  
Barcode : 6972538043368

#### Light Distribution Curve



System Definition: VT/DARIA-R/24W/65K/SMD/Ø45-150/CB/FRAMELESS/REC

VITO EUROPE

102 Iztochna Tangenta str. 4th Floor

P.C. 1528, Sofia/Bulgaria

Phone: +359 2 4341575

E-mail: [info@vitoeurope.com](mailto:info@vitoeurope.com)

[www.vitolighting.com](http://www.vitolighting.com)