

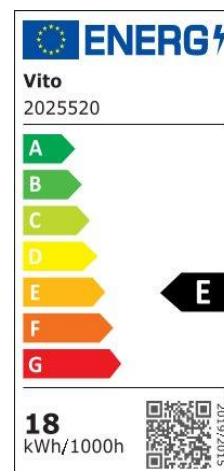
Product Data Sheet

INDOOR LIGHTING

DARIA 18W



CODE: 2025520



Area of application

Round Recessed Backlighted LED panel with Adjustable Cut-Size Feature.
Ceilings of Corridors/Rooms in offices, shopping malls, commercial&residential areas.

Product Advantages

DARIA series LED CEILING LIGHTING with electrostatically-painted mat White Aluminium body and anti-yellow UGR<19 Polycarbonate diffuser presents 1836Lm lighting performance and 20000Hours long lifetime.This 17W model includes 6500K (COOL WHITE) backlighted LED for 120° light beam-angle as desired lighting flexibility.It's ready to be operated with its easy installation and maintenance.

Product Data Sheet

INDOOR LIGHTING

DARIA 18W

CODE: 2025520

Product Features

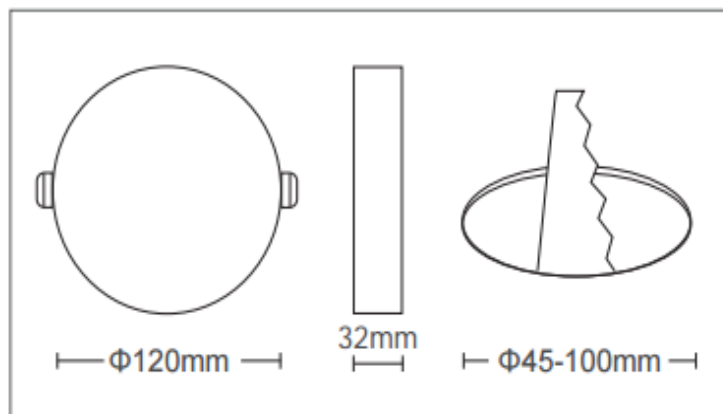
Electrical

Power (Watt): 18
Voltage: 85-265V AC ~ 50/60Hz
Power Factor: >0.5
Electrical Protection: Class II
Surge Protection: --
Dimmability: NO
Switch Cycle (Times): 15000

Material Characteristics

IP Class: Frontal IP44
IK Class: -
Material: Aluminium + Polycarbonate
Ambient Temperature: -20°C<ta<+50°C
Body Color: WHITE
Product Size (mm): Ø120x32

Technical Drawing



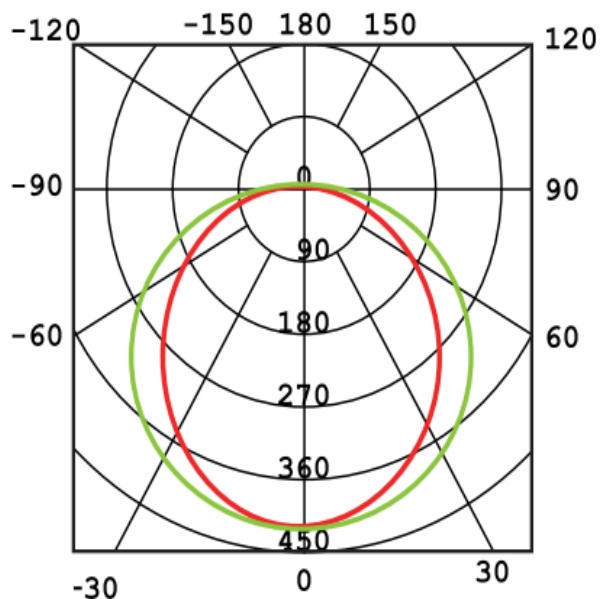
Lighting

Lumen (Lm): 1908
Luminaire efficacy (Lm/W): 106
Colour Temperature: 6500K (COOL WHITE)
Beam Angle: 120°
CRI: Ra >80
Lifetime (Hours): 20000
EEL : E

Packing Informations

Pieces/Outbox: 40
Outbox Size (mm): 440x270x310
Outbox G.W. (Kg): 5,1
Outbox Volume (m³): 0,0368
Unit Weight (Gr): 127,5
Barcode : 6972538043344

Light Distribution Curve



System Definition: VT/DARIA-R/18W/65K/SMD/Ø45-100/CB/FRAMELESS/REC

VITO EUROPE

102 Iztochna Tangenta str. 4th Floor

P.C. 1528, Sofia/Bulgaria

Phone: +359 2 4341575

E-mail: info@vitoeuropa.com

www.vitolighting.com